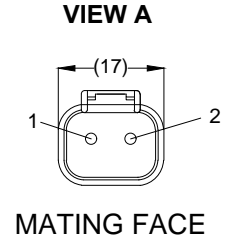
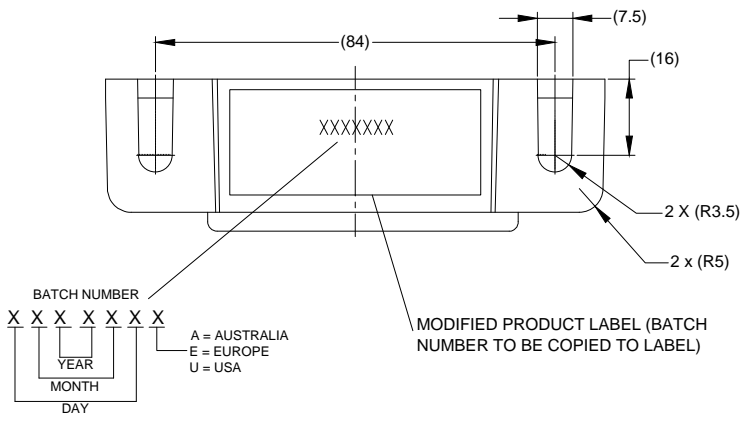
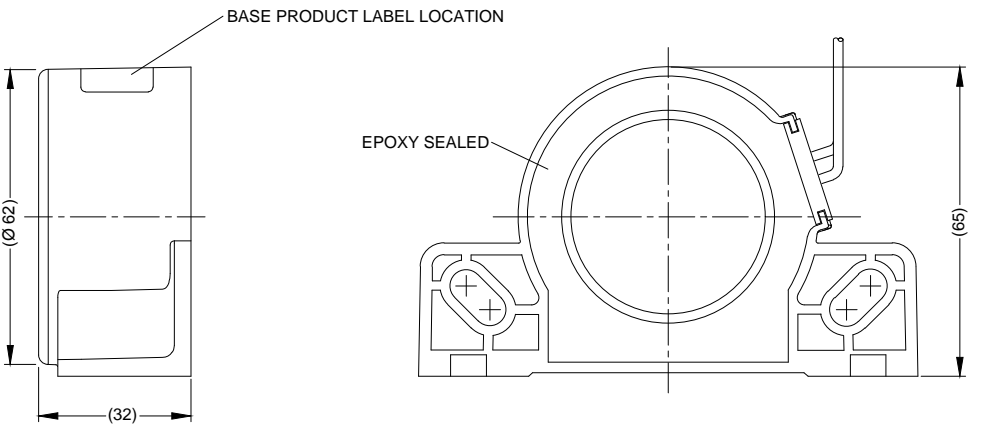
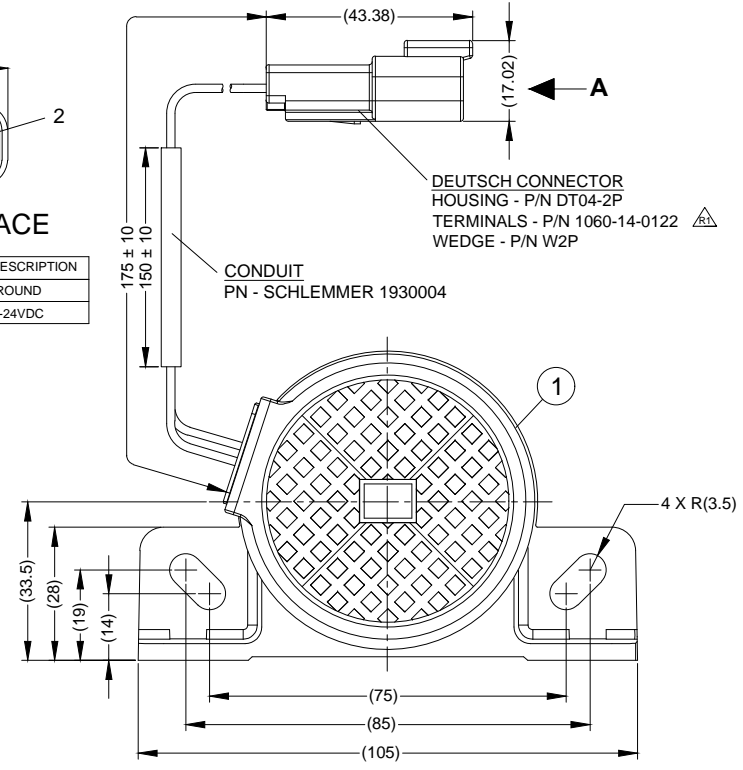


Revision Notes.				
R1 - TERMINATION METHOD UPDATED AS PER CR-A544				
APA: S.ATTWOOD	Drawn:D.RICHARDSON	Checked:J.TYRELL	Approved:D.WALLIN	Date: 27/07/17

ITEM	STOCK CODE	QTY	DESCRIPTION
①	(# TBD)	1	BBS-92 (DC01) ALARM ONLY
②	(# TBD)	1	ALARM WARNING STICKER (NOT SHOWN)
③	(# TBD)	1	FITTING INSTRUCTIONS (NOT SHOWN)



PIN #	WIRE COLOUR	DESCRIPTION
1	BLACK	GROUND
2	RED	12-24VDC



CHANGES FROM BASE PRODUCT BBS-92 (0934A) TO BBS-92 (DC01) (5321)

- CHANGE:**
1. CABLES CUT TO LENGTH.
 3. SCHLEMMER 1930004 CONDUIT ADDED.
 4. DEUTSCH CONNECTOR ADDED.
 5. MODIFIED PRODUCT LABEL ADDED.
 6. REPLACEMENT GIFT BOX LABEL ADDED.

OPERATION: SAME AS BASE PRODUCT

SPECIFICATIONS:
 RATED VOLTAGE: 12-24VDC (WORKING VOLTAGE 9-32VDC).
 RATED CURRENT: 0.2A OR LESS.
 SOUND PRESSURE: 92±4DECIBELS AT TEST VOLTAGE OF 14 AND 28 VOLTS.
 INTERMITTENCE: 80±10 CYCLES PER MINUTE AT TEST VOLTAGES 14 AND 28 VOLTS.
 OPERATING TEMPERATURE: -40° TO +85°.
 TONE: WHITE SOUND (bbs)
 ENVIRONMENTAL TEST: SUBJECT TO SAE J994.
 FINISH: MATT BLACK.
 MATERIAL: ABS PLASTIC.
 WEIGHT: 220±20grams

- NOTES:**
1. REFER TO BASE PRODUCT FOR PRODUCT SPECIFICATION.
 2. FOR LABELS AND PACKAGING REFER TO LATEST REVISION OF MASTER BOM.

PROPRIETARY NOTICE
 THIS DESIGN AND TECHNICAL INFORMATION APPEARING ON THIS DRAWING IS THE PROPERTY OF BRIGADE ELECTRONICS, AND IS DISCLOSED IN CONFIDENCE. IT IS NOT TO BE COPIED, REPRODUCED, REVEALED TO OR EXPROPRIATED BY OTHERS, EITHER IN WHOLE OR IN PART WITHOUT THE EXPRESS WRITTEN CONSENT OF BRIGADE ELECTRONICS.

Assembly PI Approval S.ATTWOOD 12/06/17	Approved by B.CHILDS	Checked by S.LAVER	Drawn by D.RICHARDSON
Customer Approval G.RUBERTELLI 09/06/17	Angle of Projection Third Angle	Units mm	Scale N/A
Status RELEASED		Released 12/06/17	Assembly Ref -
Part No 5321		BBS-92(DC01) BE-003693-01-17	

